



Toll Free: 1-800-579-8088 Web: www.zinko.com

MODEL

ZSJ-13A

1.3 Ton Aluminum Racing Car Service Jacks

## Operating Instructions & Repair Parts List

### Operation

The owner and/or operator shall have an understanding of these operating instructions and warnings before operating the jack. Warning information shall be emphasized and understood. If the operator is not fluent in English, the instructions and warning shall be read to and discussed with the operator in the operator's native language by the purchaser/owner, making sure that the operator comprehends its contents.

### Assembly Instructions

#### How to Assemble Complete Jack

Please take note before assembly of jack. After receiving the package, please check to make sure all accessories are included and complete.

#### How to Put Pumping Handle Into Handle Socket

The pumping handle comes as a two-piece handle, which is included in the master shipping carton.

1. Remove hex head bolt of handle socket and put pump handle into the handle socket hole.
2. Connect with universal joint of release valve and tighten the bolt.

### Operator Responsibility

It is the operator's responsibility to read and understand all of the following safety statements:

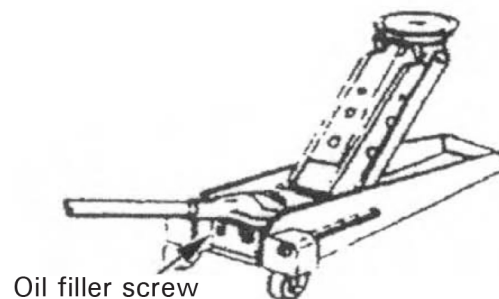
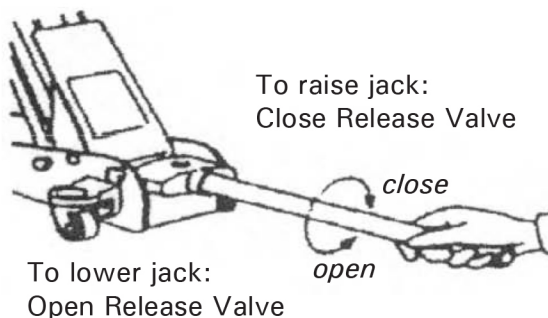
#### WARNING

1. This is designed for lifting vehicles and not for any other purpose.
2. The vehicle owner's manual should be consulted prior to jacking up of a vehicle.
3. Jack **MUST BE USED ON SOLID, LEVEL GROUND**. The wheels of the vehicle must be in a parallel position.
4. **NO PERSON SHOULD REMAIN IN A VEHICLE THAT IS BEING JACKED UP.**
5. When lifting a vehicle, be sure to place the center of the jack saddle right on the axle.
6. After lifting a vehicle, **BE SURE TO PLACE SAFETY STANDS UNDER THE AXLES.**
7. **NO PERSON SHOULD BE UNDER A VEHICLE THAT IS SUPPORTED ONLY BY A JACK.**
8. **NEVER MOVE THE JACK WHILE IT IS SUPPORTING A VEHICLE.**
9. When lowering a vehicle, make sure nobody is near or under the vehicle. Slowly lower vehicle with special attention to the position of the jack saddle.
10. Safety valve is factory adjusted and no further adjustment is required.
11. While not in use, always keep the handle straight up and locked so that it won't fall.
12. Fully release hand brake before lifting vehicle.

### Operating Instructions

Please clear up the air inside before starting operation of the jack.

1. Open the release valve by pumping.
2. Lower lifting arm to the lowest point and put the jack in the proper position, close the release valve by turning clockwise, then pump. The car will raise up.
3. Release valve will be opened by turning handle counterclockwise and lifting arm will be lowered to the lowest position.
4. If necessary to add more hydraulic oil into the reservoir, use a Phillips head screwdriver to release bolt #62. Use Esso SAE 10 hydraulic oil or equivalent.



# Zinko Hydraulic Jack

Model: ZSJ-13A

## WARNING

1. **USE THE JACK FOR LOADING UNDER RATED CAPACITY ONLY.** Do not overload, otherwise a dangerous situation may arise.
2. The jack should be used for lifting the car to change the tires only. **SUPPORT A LOAD WITH JACK STANDS ONCE THE LOAD HAS BEEN LIFTED. STAY CLEAR OF LIFTED LOADS.**
3. Center the load on the jack saddle. Off center loads can damage the seals causing jack failure.
4. **LIFT ONLY DEAD WEIGHT.**
5. **JACK IS TO BE USED BY PROFESSIONAL PERSONNEL ONLY.** To prevent dangerous situations that may occur, use by non-professional personnel is not recommended, especially children.

### Filling/Bleeding the Hydraulic Oil

*Tools required:* #3 Phillips head screwdriver

8 mm Allen socket

#10 hydraulic oil

### Instructions

**Fill** – plug is the #3 Phillips head screw to the left of the pump piston on the back of the jack reservoir.

**Bleed** – check the 8mm Allen socket plug on the top of reservoir to the left of the valve adjustment shaft.

1. Clean around both plugs.
2. Stand and support the jack on its nose.
3. Remove Phillips screw and fill reservoir to the top with hydraulic jack oil (#10). Then replace Phillips screw and lower jack to the ground.
4. "Crack" the 8mm plug on the top.
5. Use the lower half of the jack handle to close the bleed valve, then pump the jack slowly. The pad should move up slowly and oil should come out around the 8mm plug.
6. If the oil has air bubbles, open the 8mm plug a tiny bit more and continue to pump the jack SLOWLY for several strokes. If you are still getting air, close the 8mm plug, stand jack on its nose again and top off oil through fill plug. Repeat until air bubbles cease, then close both plugs.
7. Lower jack all the way, then pump pad up to the top while counting the strokes. If it takes 6 strokes to reach the top (3 strokes for ZSJ-15A3), the oil is full and the air has been bled out.
8. Use for a few weeks and the recheck for air by repeating the full process.

NOTE: If you try to repair pieces inside 8mm plug hole, they are VERY easy to damage or lose. BE CAREFUL.

### Maintenance and Cares

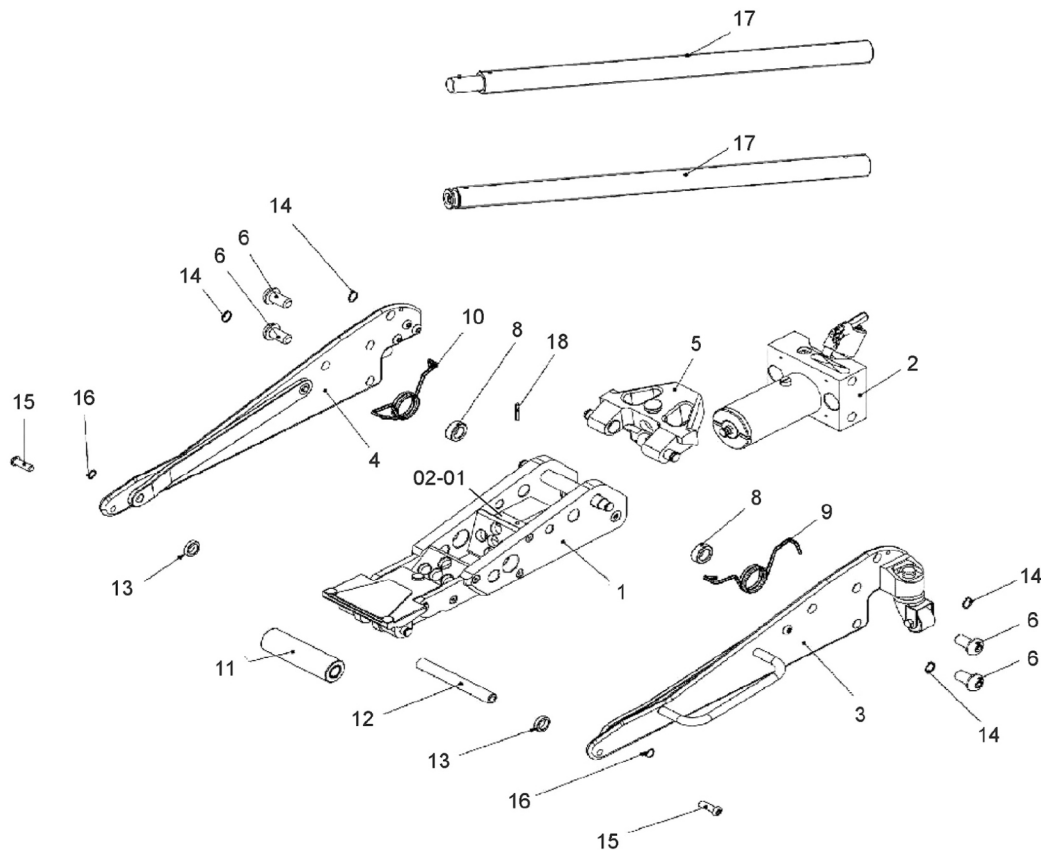
CHECK POINTS	CHECK ITEM	REMARKS
Arm	Functional condition - pump the jack to its full lifting height with no load. Then check for smooth action of the lift arm.	Lubricate pin and functional portions. Replace distorted or damaged parts.
Front Wheel	Functional condition.	Lubricate functional portion. Replace damaged or worn-out parts.
Rear Wheel	Functional condition.	Lubricate functional portion. Replace damaged or worn-out parts. Tighten loose bolts securely.
Power Unit	Proper oil level. Oil leakage.	Supply oil if necessary (replace oil in the reservoir at least once a year). Replace packing.
Handle	Functional condition and loose.	Lubricate pin and functional portions. Tighten loose bolts securely. Replace damaged parts.

NOTE: 1) Oil for functional portion: lubricating oil.

2) Oil for jack: bearing oil TSO VG 10. Never use brake fluid or any other high viscosity or volatile oil.

# Zinko Hydraulic Jack

Model: ZSJ-13A



Part#	Description
94013A-01	Complete Lift Body
94013A-02	Hydraulic Unit
94013A-03	Left Frame
94013A-04	Right Frame
94013A-05	Handle Socket
94013A-06	Bolt
94013A-07	Shaft
94013A-08	Ring
94013A-09	Left Spring

Part#	Description
94013A-10	Right Spring
94013A-11	Front Wheel
94013A-12	Front Wheel Axis
94013A-13	Front Wheel Ring
94013A-14	C-Ring
94013A-15	Bolt
94013A-16	C-Ring
94013A-17	Handle Sets (2 pcs)
94013A-18	Spring Pin



**ZINKO HYDRAULIC JACK**

PO Box 4903, Ontario, CA 91761

Toll Free: 1-800-579-8088

[www.zinkojack.com](http://www.zinkojack.com)

Phone: (909) 230-4100

Fax: (909) 230-4137